

ELECTRIC POWER FITTINGS

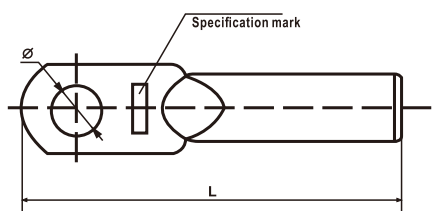
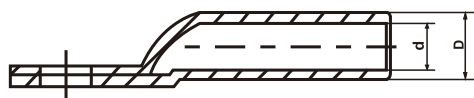


The logo for 'omu' features a stylized green and white circular graphic to the left of the lowercase letters 'omu' in a white, sans-serif font.

Electric Power Fittings

Copper Cable Terminals Non-Isolated - DTG Type

OUMO PUBLISH

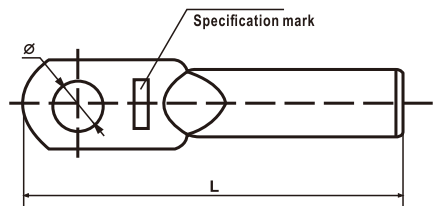
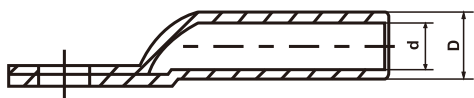


Specifications	Dimensions(mm)				Code No.
	D	d	Φ	L	
DTG-6	5.5	4.1	Φ5.2, Φ6.2, Φ8.2	47	OMU-DTG-001
DTG-10	8	6.6	Φ6.2, Φ8.2,	52	OMU-DTG-002
DTG-16	9	7	Φ6.2, Φ8.2, Φ10.5	57	OMU-DTG-003
DTG-25	9	7	Φ6.2, Φ8.2, Φ10.5,12.5	62	OMU-DTG-004
DTG-35	10.5	8.5	Φ6.2, Φ8.2, Φ10.5, Φ12.5	66	OMU-DTG-005
DTG-50	12	9.8	Φ8.2, Φ10.5, Φ12.5	72	OMU-DTG-006
DTG-70	14.5	11.9	Φ8.2, Φ10.5, Φ12.5	81	OMU-DTG-007
DTG-95	16	13	Φ10.5, Φ12.5	85	OMU-DTG-008
DTG-120	19	15.4	Φ12.5, Φ16.5	97	OMU-DTG-009
DTG-150	20.5	16.7	Φ12.5, Φ16.5	101	OMU-DTG-010
DTG-185	23.5	19.3	Φ16.5	112	OMU-DTG-011
DTG-240	26	21.2	Φ16.5	119	OMU-DTG-012
DTG-300	30	24	Φ16.5, Φ20.5	132	OMU-DTG-013
DTG-400	34	27.6	Φ16.5, Φ20.5	150	OMU-DTG-014
DTG-500	38	31.6	Φ16.5, Φ20.5	170	OMU-DTG-015
DTG-630	45	37.6	Φ20.5	170	OMU-DTG-016

These products are applicable to the connection of wires in distribution equipment power supply cable with electronic apparatus. It is made of T2 copper tube by die cast and coated tin.

Copper Cable Terminals Non-Isolated - JG Type

OUMO PUBLISH



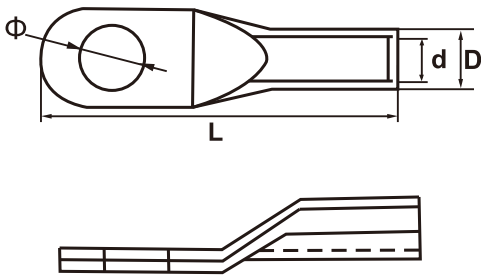
Specifications	Dimensions(mm)				Code No.
	D	d	Φ	L	
JG-10	8	6.6	Φ6.2, Φ8.2,	32	OMU-JG-001
JG-16	9	7	Φ6.2, Φ8.2, Φ10.5	39	OMU-JG-002
JG-25	9	7	Φ6.2, Φ8.2, Φ10.5,12.5	41	OMU-JG-003
JG-35	10.5	8.5	Φ6.2, Φ8.2, Φ10.5, Φ12.5	46	OMU-JG-004
JG-50	12	9.8	Φ8.2, Φ10.5, Φ12.5	52	OMU-JG-005
JG-70	14.5	11.9	Φ8.2, Φ10.5, Φ12.5	55	OMU-JG-006
JG-95	16	13	Φ10.5, Φ12.5	62	OMU-JG-007
JG-120	19	15.4	Φ12.5, Φ16.5	66	OMU-JG-008
JG-150	20.5	16.7	Φ12.5, Φ16.5	73	OMU-JG-009
JG-185	23.5	19.3	Φ16.5	80	OMU-JG-010
JG-240	26	21.2	Φ16.5	86	OMU-JG-011
JG-300	30	24	Φ16.5, Φ20.5	94	OMU-JG-012
JG-400	34	27.6	Φ16.5, Φ20.5	103	OMU-JG-013
JG-500	38	31.6	Φ16.5, Φ20.5	113	OMU-JG-014
JG-630	45	37.6	Φ20.5	124	OMU-JG-015

These products are applicable to the connection of wires in distribution equipment power supply cable with electronic apparatus. It is made of T2 copper tube by die cast and coated tin.

Electric Power Fittings

Copper Cable Terminals Non-Isolated - AUS Type

OUMO PUBLISH

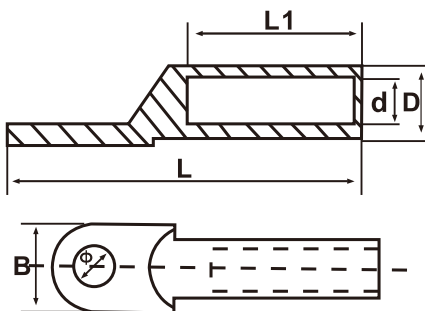
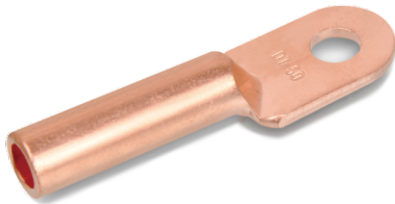


Specifications	Dimensions(mm)				Code No.
	Φ	D	d	L	
AUS-6	Φ5.2, Φ6.2, Φ8.2	5.5	4.1	37.5	OMU-AUS-001
AUS-10	Φ6.2, Φ8.2	6.5	5.1	37.5	OMU-AUS-002
AUS-16	Φ6.2, Φ8.2, Φ10.5	8	6	47	OMU-AUS-003
AUS-25	Φ6.2, Φ8.2, Φ10.5	10.5	8	52	OMU-AUS-004
AUS-35	Φ6.2, Φ8.2, Φ10.5, Φ12.5	12.5	9.5	55	OMU-AUS-005
AUS-50	Φ8.2, Φ10.5, Φ12.5	14.5	10.9	69	OMU-AUS-006
AUS-70	Φ8.2, Φ10.5, Φ12.5	16.5	12.7	72	OMU-AUS-007
AUS-95	Φ10.5, Φ12.5	19	14.8	80	OMU-AUS-008
AUS-120	Φ12.5, Φ16.5	20.5	16.1	86	OMU-AUS-009
AUS-150	Φ12.5, Φ16.5	23.5	18	95	OMU-AUS-010
AUS-185	Φ16.5	26	20.6	100	OMU-AUS-011
AUS-240	Φ16.5	28	22.4	112	OMU-AUS-012
AUS-300	Φ16.5, Φ20.5	30	23.6	119	OMU-AUS-013
AUS-400	Φ16.5, Φ20.5	34	26	140	OMU-AUS-014
AUS-500	Φ16.5, Φ20.5, Φ24.5	38	29	150	OMU-AUS-015
AUS-630	Φ16.5, Φ20.5, Φ24.5	45	35	160	OMU-AUS-016

These products are suitable for the connection of copper conductors (section 1.5-1000mm) in power cable with electronic equipment. They are made of higher 99.9 percents pure copper tube T2 and coated with tin. Their working temperature -55°C-150°C.

Copper Cable Terminals Non-Isolated - DT Type

OUMO PUBLISH



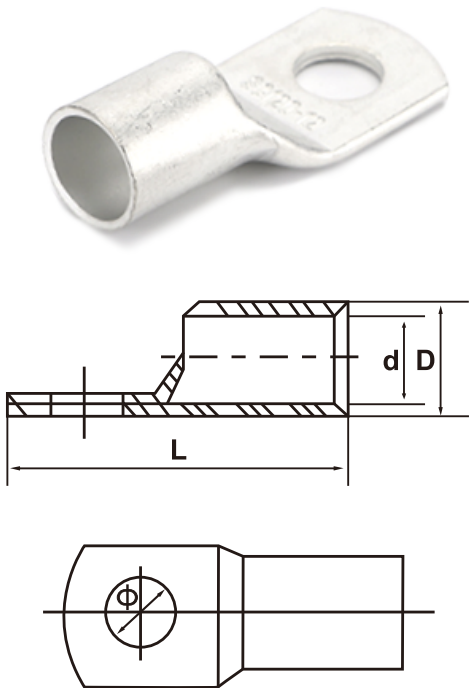
Specifications	Dimensions(mm)						Code No.
	Φ	D	d	L	L1	B	
DT-10	8.5	9	5.3	62	28	16	OMU-DT-001
DT-16	8.5	10	6.5	68	30	16	OMU-DT-002
DT-25	8.5	11	7	70	33	18	OMU-DT-003
DT-35	10.5	12	8.5	80	36	20.5	OMU-DT-004
DT-50	10.5	14	9.5	85	38	23	OMU-DT-005
DT-70	12.5	16	11.5	95	43	26	OMU-DT-006
DT-95	12.5	18	13.5	104	46	28	OMU-DT-007
DT-120	14.5	20	15	112	49	30	OMU-DT-008
DT-150	14.5	22	16.5	120	51	34	OMU-DT-009
DT-185	16.5	25	18.5	125	55	37	OMU-DT-010
DT-240	16.5	27	21	136	60	40	OMU-DT-011
DT-300	18	31	23.5	155	66	45	OMU-DT-012
DT-400	21	34	26.5	170	75	50	OMU-DT-013
DT-500	21	38	29	190	75	60	OMU-DT-014
DT-630	21	45	35	220	85	80	OMU-DT-015
DT-800	21	50	38	260	85	100	OMU-DT-016

These products are suitable for the conjunction of wire, cables in the distribution equipment and the electrical equipment. DT model copper cable lug is made of higher 99.9 percents pure copper bar (T2).

Electric Power Fittings

Copper Cable Terminals Non-Isolated - SC (JGK) Type

OUMO PUBLISH

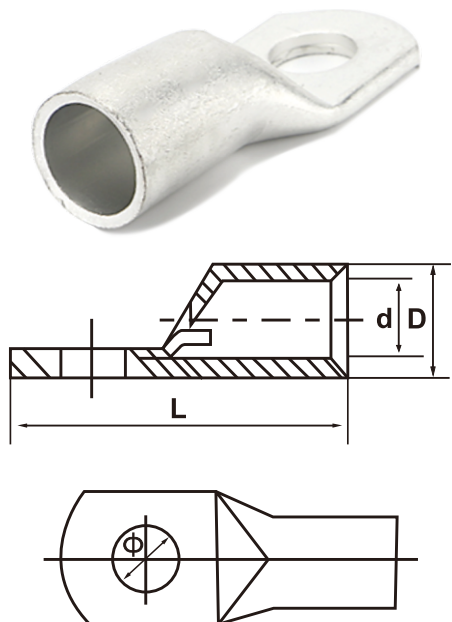


Specifications	Dimensions(mm)				Code No.
	D	d	Φ	L	
SC(JGK)-1.5	3.5	2.1	Φ4.2, Φ5.2	19	OMU-SC-001
SC(JGK)-2.5	4	2.5	Φ4.2, Φ5.2, Φ6.2	19	OMU-SC-002
SC(JGK)-4	4.8	3.4	Φ5.2, Φ6.2	20.5	OMU-SC-003
SC(JGK)-6	5.5	4.1	Φ5.2, Φ6.2, Φ8.2	23	OMU-SC-004
SC(JGK)-10	6.5	5.1	Φ5.2, Φ6.2, Φ8.2, Φ10.5	26.5	OMU-SC-005
SC(JGK)-16	8	6.4	Φ6.2, Φ8.2, Φ10.5	29.5	OMU-SC-006
SC(JGK)-25	9	7	Φ6.2, Φ8.2, Φ10.5, Φ12.5	33	OMU-SC-007
SC(JGK)-35	10.5	8.5	Φ6.2, Φ8.2, Φ10.5, Φ12.5	36	OMU-SC-008
SC(JGK)-50	12	9.8	Φ8.2, Φ10.5, Φ12.5, Φ14.5	43.5	OMU-SC-009
SC(JGK)-70	14.5	11.9	Φ8.2, Φ10.5, Φ12.5, Φ14.5	49.5	OMU-SC-010
SC(JGK)-95	16	13	Φ8.2, Φ10.5, Φ12.5, Φ14.5, Φ16.5	53.5	OMU-SC-011
SC(JGK)-120	19	15.4	Φ10.5, Φ12.5, Φ14.5, Φ16.5	61	OMU-SC-012
SC(JGK)-150	20.5	16.7	Φ10.5, Φ12.5, Φ14.5, Φ16.5	68	OMU-SC-013
SC(JGK)-185	23.5	19.3	Φ12.5, Φ14.5, Φ16.5	75	OMU-SC-014
SC(JGK)-240	26	21.2	Φ12.5, Φ14.5, Φ16.5	85	OMU-SC-015
SC(JGK)-300	30	24	Φ12.5, Φ14.5, Φ16.5, Φ20.5	95	OMU-SC-016
SC(JGK)-400	34	27.6	Φ12.5, Φ14.5, Φ16.5, Φ20.5	111	OMU-SC-017
SC(JGK)-500	38	31.6	Φ16.5, Φ20.5	123	OMU-SC-018
SC(JGK)-630	45	37.6	Φ16.5, Φ20.5	140	OMU-SC-019
SC(JGK)-800	50	39	Φ20.5	170	OMU-SC-020
SC(JGK)-1000	56	44	Φ20.5	200	OMU-SC-021

These products are suitable for the connection of copper conductors (section 1.5-1000mm²) in power cable with electronic equipment. They are made of higher 99.9 percent pure copper tube T2 and coated with tin. Their working temperature -55°C-150°C.

Copper Cable Terminals Non-Isolated - JGY Type

OUMO PUBLISH



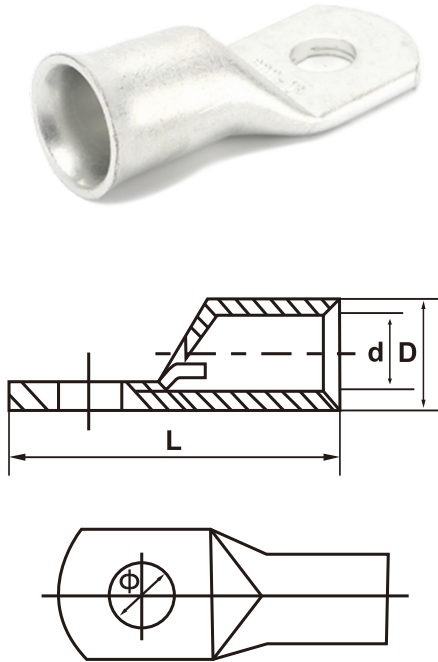
Specifications	Dimensions(mm)				Code No.
	D	d	Φ	L	
JGY-1.5	3.5	2.1	Φ4.2, Φ5.2	18	OMU-JGY-001
JGY-2.5	4	2.6	Φ4.2, Φ5.2, Φ6.2	19	OMU-JGY-002
JGY-4	4.8	3.4	Φ5.2, Φ6.2	21	OMU-JGY-003
JGY-6	5.5	4.1	Φ5.2, Φ6.2, Φ8.2	24	OMU-JGY-004
JGY-10	6.5	5.1	Φ6.2, Φ8.2	28	OMU-JGY-005
JGY-16	8	6.4	Φ6.2, Φ8.2, Φ10.5	33	OMU-JGY-006
JGY-25	9	7	Φ6.2, Φ8.2, Φ10.5	36	OMU-JGY-007
JGY-35	10.5	8.5	Φ6.2, Φ8.2, Φ10.5, Φ12.5	42	OMU-JGY-008
JGY-50	12	9.8	Φ8.2, Φ10.5, Φ12.5	49	OMU-JGY-009
JGY-70	14.5	11.9	Φ8.2, Φ10.5, Φ12.5	55	OMU-JGY-010
JGY-95	16	13	Φ10.5, Φ12.5	60	OMU-JGY-011
JGY-120	19	15.4	Φ12.5, Φ16.5	67	OMU-JGY-012
JGY-150	20.5	16.7	Φ12.5, Φ16.5	73	OMU-JGY-013
JGY-185	23.5	19.3	Φ16.5	78	OMU-JGY-014
JGY-240	26	21.2	Φ16.5	92	OMU-JGY-015
JGY-300	30	24	Φ16.5, Φ20.5	102	OMU-JGY-016
JGY-400	34	27.6	Φ16.5, Φ20.5	113	OMU-JGY-017
JGY-500	38	31.6	Φ16.5, Φ20.5	123	OMU-JGY-018
JGY-630	45	37.6	Φ20.5	145	OMU-JGY-019

These products are suitable for the connection of copper conductors (section 1.5-1000mm²) in power cable with electronic equipment. They are made of higher 99.9 percent pure copper tube T2 and coated with tin. Their working temperature -55°C-150°C.

Electric Power Fittings

Copper Cable Terminals Non-Isolated - JGB Type

OUMO PUBLISH

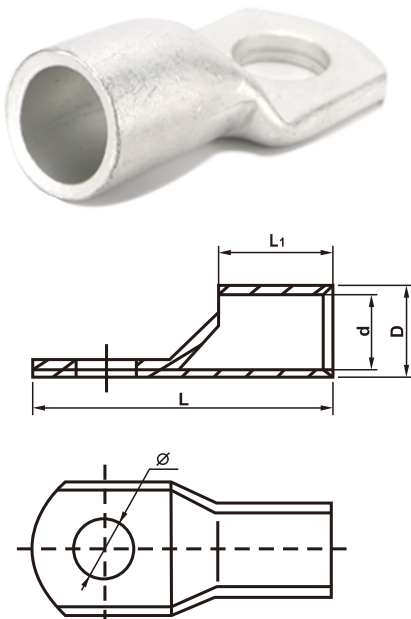


Specifications	Dimensions(mm)				Code No.
	D	d	Φ	L	
JGB-1.5	3.5	2.1	Φ4.2, Φ5.2	18	OMU-JGB-001
JGB-2.5	4	2.6	Φ4.2, Φ5.2, Φ6.2	19	OMU-JGB-002
JGB-4	4.8	3.4	Φ5.2, Φ6.2	21	OMU-JGB-003
JGB-6	5.5	4.1	Φ5.2, Φ6.2, Φ8.2	24	OMU-JGB-004
JGB-10	6.5	5.1	Φ6.2, Φ8.2	28	OMU-JGB-005
JGB-16	8	6.4	Φ6.2, Φ8.2, Φ10.5	33	OMU-JGB-006
JGB-25	9	7	Φ6.2, Φ8.2, Φ10.5	36	OMU-JGB-007
JGB-35	10.5	8.5	Φ6.2, Φ8.2, Φ10.5, Φ12.5	42	OMU-JGB-008
JGB-50	12	9.8	Φ8.2, Φ10.5, Φ12.5	49	OMU-JGB-009
JGB-70	14.5	11.9	Φ8.2, Φ10.5, Φ12.5	55	OMU-JGB-010
JGB-95	16	13	Φ10.5, Φ12.5	60	OMU-JGB-011
JGB-120	19	15.4	Φ12.5, Φ16.5	67	OMU-JGB-012
JGB-150	20.5	16.7	Φ12.5, Φ16.5	73	OMU-JGB-013
JGB-185	23.5	19.3	Φ16.5	78	OMU-JGB-014
JGB-240	26	21.2	Φ16.5	92	OMU-JGB-015
JGB-300	30	24	Φ16.5, Φ20.5	102	OMU-JGB-016
JGB-400	34	27.6	Φ16.5, Φ20.5	113	OMU-JGB-017
JGB-500	38	31.6	Φ16.5, Φ20.5	123	OMU-JGB-018
JGB-630	45	37.6	Φ20.5	145	OMU-JGB-019

These products are suitable for the connection of copper conductors (section 1.5-1000mm) in power cables with electronic equipment. They are made of higher 99.9% pure copper tube T2 and coated with tin. Their working temperature is -55°C to 150°C.

Copper Cable Terminals Non-Isolated - NCL Type

OUMO PUBLISH



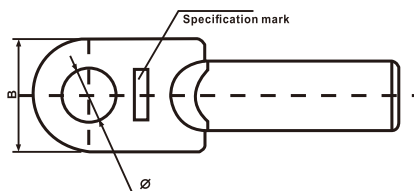
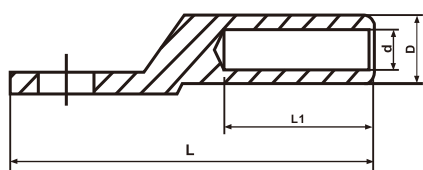
Specifications	Dimensions(mm)					Code No.
	D	d	Φ	L	L1	
NCL-25	9.5	7.2	Φ8.2	36	12	OMU-NCL-001
NCL-35	11	8.2	Φ8.2	42	14	OMU-NCL-002
NCL-50	12.5	9.5	Φ10.5	49	16	OMU-NCL-003
NCL-70	14.5	11.3	Φ10.5	55	20	OMU-NCL-004
NCL-95	17	13.4	Φ12.5	60	22	OMU-NCL-005
NCL-120	20.5	15.7	Φ12.5	67	23	OMU-NCL-006
NCL-150	22.5	17.1	Φ12.5	73	26	OMU-NCL-007
NCL-185	24	18.4	Φ16.5	78	32	OMU-NCL-008
NCL-240	28	21.4	Φ16.5	92	38	OMU-NCL-009
NCL-300	31	23.8	Φ16.5	102	42	OMU-NCL-010
NCL-400	34.5	27.6	Φ16.5	113	44	OMU-NCL-011
NCL-500	39	30.6	Φ16.5	123	48	OMU-NCL-012

These products are suitable for the connection of copper conductors (section 1.5-1000mm) in power cables with electronic equipment. They are made of higher 99.9% pure copper tube T2 and coated with tin. Their working temperature is -55°C to 150°C.

Electric Power Fittings

Al Cable Terminals Non-Isolated - DL Type

OUMO PUBLISH

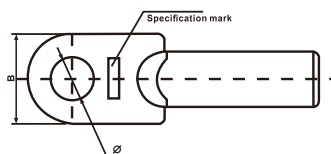
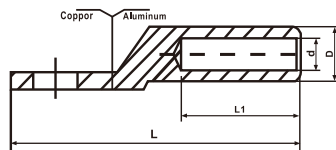
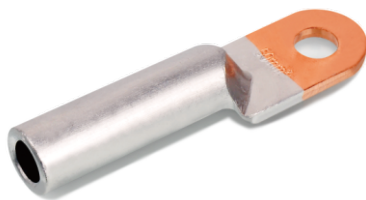


Specifications	Dimensions(mm)					Code No.
	Φ	D	d	L	L1	
DL-10	8.5	9	6	68	28	OMU-DL-001
DL-16	8.5	10	6	70	30	OMU-DL-002
DL-25	8.5	12	7	75	34	OMU-DL-003
DL-35	10.5	14	8.5	85	38	OMU-DL-004
DL-50	10.5	16	9.8	90	40	OMU-DL-005
DL-70	12.5	18	11.5	102	48	OMU-DL-006
DL-95	12.5	21	13.5	112	51	OMU-DL-007
DL-120	14.5	23	15	120	53	OMU-DL-008
DL-150	14.5	25	16.5	126	56	OMU-DL-009
DL-185	16.5	27	18.5	133	58	OMU-DL-010
DL-240	16.5	30	21	140	60	OMU-DL-011
DL-300	21	34	24	160	65	OMU-DL-012
DL-400	21	38	26	170	70	OMU-DL-013
DL-500	21	47	29	190	75	OMU-DL-014
DL-630	21	54	35	220	85	OMU-DL-015
DL-800	21	60	38	250	100	OMU-DL-016

These products are suitable for the conjunction of wire, cables in the distribution equipment and the electrical equipment. DT model copper cable lug is pressed with aluminium bar(L3).

Bimetallic Cable Terminals -DTL-1 Type

OUMO PUBLISH



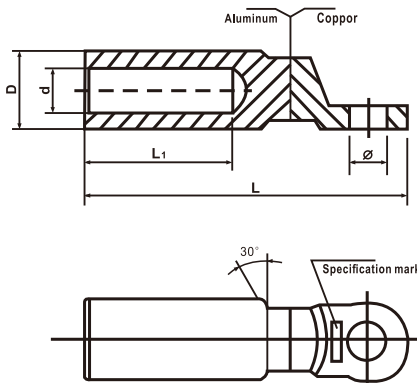
Specifications	Dimensions(mm)						Code No.
	Φ	D	d	L	L1	B	
DTL-1-10	8.5	10	6	68	28		OMU-DTL-1-001
DTL-1-16	8.5	11	6	70	30	16	OMU-DTL-1-002
DTL-1-25	8.5	12	7	75	34	18	OMU-DTL-1-003
DTL-1-35	10.5	14	8.5	85	38	20.5	OMU-DTL-1-004
DTL-1-50	10.5	16	9.8	90	40	23	OMU-DTL-1-005
DTL-1-70	12.5	18	11.5	102	48	26	OMU-DTL-1-006
DTL-1-95	12.5	21	13.5	112	50	28	OMU-DTL-1-007
DTL-1-120	14.5	23	15	120	53	30	OMU-DTL-1-008
DTL-1-150	14.5	25	16.5	126	56	34	OMU-DTL-1-009
DTL-1-185	16.5	27	18.5	133	58	37	OMU-DTL-1-010
DTL-1-240	16.5	30	21	140	60	40	OMU-DTL-1-011
DTL-1-300	21	34	23.5	160	65	50	OMU-DTL-1-012
DTL-1-400	21	38	27	170	70	50	OMU-DTL-1-013
DTL-1-500	21	47	29	225	75	60	OMU-DTL-1-014
DTL-1-630	21	54	35	245	80	80	OMU-DTL-1-015
DTL-1-800	21	60	38	270	90	100	OMU-DTL-1-016

DTL-1 series copper-aluminium cable lug are suitable for transition connection of the circular aluminium, hemicycle-sector aluminium wires, power supply cables in the distribution equipment. The material of aluminium and copper is L3 and T2 respectively. The technology of friction welding is wonderfully adopted. Therefore they have features of strong weld intensity, good nature in electrification resistant galvanic corrosion and long service life.

Electric Power Fittings

Bimetallic Cable Terminals -DTL-2 Type

OUMO PUBLISH

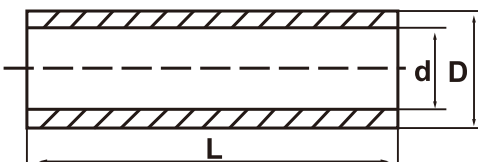


Specifications	Dimensions(mm)					Code No.
	Φ	D	d	L	L1	
DTL-2-16	11	16	5.5	80	38	OMU-DTL-2-001
DTL-2-25	11	16	6.5	80	38	OMU-DTL-2-002
DTL-2-35	11	16	8.2	80	38	OMU-DTL-2-003
DTL-2-50	13	20	9.7	91	43	OMU-DTL-2-004
DTL-2-70	13	20	11	91	43	OMU-DTL-2-005
DTL-2-95	13	20	12.5	91	43	OMU-DTL-2-006
DTL-2-120	13	25	14.5	115	60	OMU-DTL-2-007
DTL-2-150	13	25	16.5	115	60	OMU-DTL-2-008
DTL-2-185	13	32	17.5	125	60	OMU-DTL-2-009
DTL-2-240	13	32	19.5	125	60	OMU-DTL-2-010
DTL-2-300	13	34	23	131	61	OMU-DTL-2-011
DTL-2-400	13	34	26.2	131	61	OMU-DTL-2-012
DTL-2-400D	17	40	26.2	165	80	OMU-DTL-2-013
DTL-2-500	17	40	29	165	93	OMU-DTL-2-014
DTL-2-630	17	47	33	181	97	OMU-DTL-2-015

DTL-2 series copper-aluminium cable lug are suitable for transition connection of the circular aluminium, hemicycle-sector aluminium wires, power supply cables in the distribution equipment. The material of aluminium and copper is L3 and T2 respectively. The technology of friction welding is wonderfully adopted. Therefore they have features of strong weld intensity, good nature in electrification resistant galvanic corrosion and long service life.

Copper Connection Tubes - GTY Type

OUMO PUBLISH



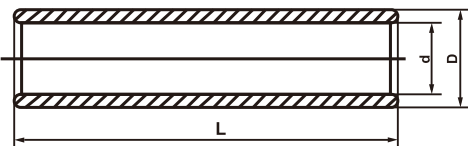
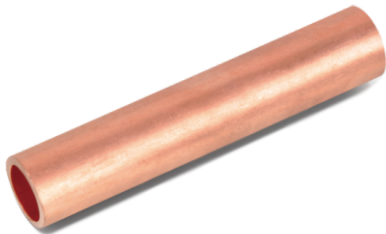
Specifications	Dimensions(mm)			Code No.
	D	d	L	
GTY-1.5	3.5	2.1	20	OMU-GTY-001
GTY-2.5	4	2.5	20	OMU-GTY-002
GTY-4	4.8	3.4	20	OMU-GTY-003
GTY-6	5.5	4.1	25	OMU-GTY-004
GTY-10	6.5	5.1	30	OMU-GTY-005
GTY-16	8	6.4	35	OMU-GTY-006
GTY-25	9	7	40	OMU-GTY-007
GTY-35	10.5	8.5	45	OMU-GTY-008
GTY-50	12	9.8	50	OMU-GTY-009
GTY-70	14.5	11.9	55	OMU-GTY-010
GTY-95	16	13	55	OMU-GTY-011
GTY-120	19	15.4	60	OMU-GTY-012
GTY-150	20.5	16.7	65	OMU-GTY-013
GTY-185	23.5	19.3	70	OMU-GTY-014
GTY-240	26	21.2	75	OMU-GTY-015
GTY-300	30	24	80	OMU-GTY-016
GTY-400	34	27.6	85	OMU-GTY-017
GTY-500	38	31.6	90	OMU-GTY-018
GTY-630	45	37.6	95	OMU-GTY-019

These products are applicable for the connection of the circular wire, hemicycle wire with power supply cable in distribution equipment, they are made of higher 99.9 percents T2 copper tube, and its surface is coated tin.

Electric Power Fittings

Copper Connection Tubes - GT Type

OUMO PUBLISH

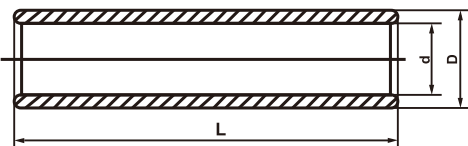


Specifications	Dimensions(mm)			Code No.
	D	d	L	
GT-6	5.5	4.1	45	OMU-GT-001
GT-10	6.5	5.1	50	OMU-GT-002
GT-16	9	6	55	OMU-GT-003
GT-25	10	7	60	OMU-GT-004
GT-35	10.5	7.5	65	OMU-GT-005
GT-50	12	9	70	OMU-GT-006
GT-70	14.5	11.5	75	OMU-GT-007
GT-95	16	12	80	OMU-GT-008
GT-120	19	14.5	85	OMU-GT-009
GT-150	20.5	15.5	90	OMU-GT-010
GT-185	23.5	18	100	OMU-GT-011
GT-240	26	21	105	OMU-GT-012
GT-300	30	24	120	OMU-GT-013
GT-400	34	26	140	OMU-GT-014
GT-500	38	30	170	OMU-GT-015
GT-630	45	35	190	OMU-GT-016

These products are applicable to connect the circular wire and hemicycle-sector. GT model hole-passing connection tube is made of T2 copper tube.

Al Connection Tubes - GL Type

OUMO PUBLISH



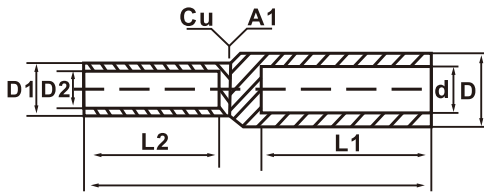
Specifications	Dimensions(mm)			Code No.
	D	d	L	
GL-10	9	5	52	OMU-GL-001
GL-16	10	6	56	OMU-GL-002
GL-25	11	7	62	OMU-GL-003
GL-35	12	8	67	OMU-GL-004
GL-50	15	10	76	OMU-GL-005
GL-70	17	11	87	OMU-GL-006
GL-95	19	13	92	OMU-GL-007
GL-120	21	15	98	OMU-GL-008
GL-150	23	17	108	OMU-GL-009
GL-185	25	19	114	OMU-GL-010
GL-240	28	21	118	OMU-GL-011
GL-300	34	24	135	OMU-GL-012

These products are applicable to connect the circular wire and hemicycle-sector. GL model hole-passing connection tube is made of L3 aluminium tube, its quality is reliable.

Electric Power Fittings

Bimetallic Connection Tubes - GTL Type

OUMO PUBLISH

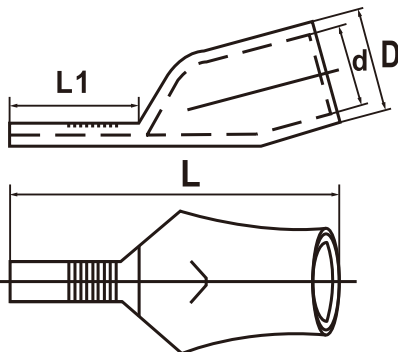


Specifications	Dimensions(mm)						Code No.
	D	d	D1	L1	L2	L	
GTL-16	10	6	9	30	30	70	OMU-GTL-001
GTL-25	12	7	10	33	30	75	OMU-GTL-002
GTL-35	14	8.5	11	40	30	85	OMU-GTL-003
GTL-50	16	9.8	13	42	32	95	OMU-GTL-004
GTL-70	18	11.5	15	50	38	105	OMU-GTL-005
GTL-95	21	13.5	17	50	40	110	OMU-GTL-006
GTL-120	23	15	19	55	42	112	OMU-GTL-007
GTL-150	25	17	21	55	44	118	OMU-GTL-008
GTL-185	27	18.5	23	60	46	125	OMU-GTL-009
GTL-240	30	21	26	60	54	130	OMU-GTL-010
GTL-300	34	23	28	65	56	145	OMU-GTL-011
GTL-400	38	27	30	70	60	155	OMU-GTL-012
GTL-500	43	29	34	75	65	165	OMU-GTL-013

These products are applicable connect the circular wire and hemicycle-sector wire in distribution equipment or power supply cables. GTL model Cu-Al connection tube is made of friction-welding craft, its quality is reliable.

Plug-in Needles - C45 Type

OUMO PUBLISH

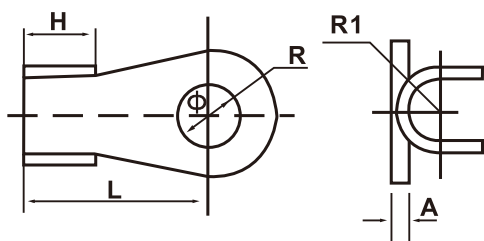


Specifications	Dimensions(mm)				Code No.
	D	d	L	L1	
C45-10	7.5	5	34	13.5	OMU-C45-001
C45-16	8.5	6	35	14	OMU-C45-002
C45-25	10	7	36	14.5	OMU-C45-003
C45-35	11	8	37	15	OMU-C45-004
C45-50	13	10	41	15.5	OMU-C45-005
C45-70	16	12	45	16	OMU-C45-006
C45-95	18	14	50	18	OMU-C45-007
C45-120	20	15	57	20	OMU-C45-008
C45-150	22	17	67	24	OMU-C45-009
C45-185	24	19	77	28	OMU-C45-010
C45-240	26	21	85	31	OMU-C45-011

Electric Power Fittings

Copper Open Connecting Nose - OT Type

OUMO PUBLISH

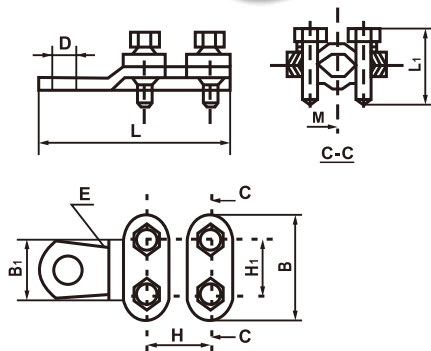


Specifications	Dimensions(mm)						Code No.
	D	d	D1	L1	L2	L	
OT-10	5.2	6	14.5	4.5	2	0.8	OMU-OT-001
OT-20	6.2	7	17	5.5	2.5	1	OMU-OT-002
OT-30	6.2	8.2	19	5.8	3.2	1.2	OMU-OT-003
OT-40	6.2	9	19.5	6.2	3.5	1.2	OMU-OT-004
OT-50	6.2	9	21.5	6.5	3.5	1.2	OMU-OT-005
OT-60	8.2	10	23	7	4	1.4	OMU-OT-006
OT-80	8.2	11	25	8	4.5	1.5	OMU-OT-007
OT-100	8.2	12	29	8.5	5	1.5	OMU-OT-008
OT-150	10.2	12	31	9	5.5	1.6	OMU-OT-009
OT-200	10.2	14	33	10	6	1.7	OMU-OT-010
OT-250	10.2	15.5	36	10.5	6.5	2	OMU-OT-011
OT-300	12.2	16	40	11.5	7	2	OMU-OT-012
OT-400	12.2	18	43	13	8	2.2	OMU-OT-013
OT-500	14.2	20	46	14.5	8.5	2.4	OMU-OT-014
OT-600	16.2	22	50.5	16	10.5	2.8	OMU-OT-015
OT-800	18.2	26	61	17.5	12.5	3.2	OMU-OT-016
OT-1000	18.2	33	66	20.5	15.5	3.8	OMU-OT-017

This model is suitable for the connection of copper conductors in distribution equipment.

Copper Connecting Clamps - WCJB Type

OUMO PUBLISH



Specifications	Conductor (mm ²)	Dimensions(mm)								Code No.
		L	L1	B	B1	H	H1	D	M	
WCJB-1	16~25	39.5	15	25	16.5	13	13	8.5	5	OMU-WCJB-001
WCJB-2	16~25	45	15	22	18	13	13	8.5	5	OMU-WCJB-002
WCJB-3	25~35	52.5	15	24.5	21.5	13.5	13.5	10.5	5	OMU-WCJB-003
WCJB-4	50~70	61	21	31	23	18.5	18.5	10.5	6	OMU-WCJB-004
WCJB-5	70~95	69	24	35	23.5	20	20	10.5	6	OMU-WCJB-005
WCJB-6	95~120	74	20.5	42	28.5	22.5	22.5	13.5	7	OMU-WCJB-006
WCJB-7	120~150	73.5	30	41	27	24	24	13.5	8	OMU-WCJB-007
WCJB-8	150~185	76	30	42	28	24.5	24.5	13.5	8	OMU-WCJB-008
WCJB-9	185~240	80	32	44	30	25	25	13.5	8	OMU-WCJB-009

PREINSULATED TERMINALS



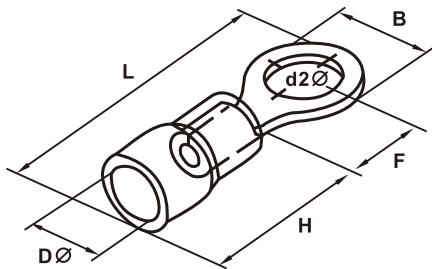
The logo for 'omu' features a stylized green leaf-like shape on the left, followed by the lowercase letters 'o', 'm', and 'u' in a white, sans-serif font. The 'o' is partially enclosed by the green shape.



Preinsulated Terminals

PVC Insulated Ring Terminals

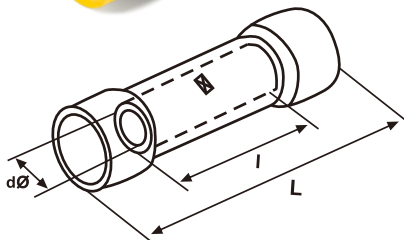
OUMO PUBLISH



Specifications	USA Bolt No.	Dimension						Color	Remark	Code No.
		Bolt dia. d2	B mm	L mm	F mm	H mm	DØ mm			
RV1.25-3	#4	3.2mm	5.7	17.8	4.95	10	4.3	red	Material:Copper,PVC Wirerange:0.5~1.5mm ² Max.current=19A	OMU-RV-001
RVS1.25-3.5	#6	3.7mm	5.7	17.8	4.95					OMU-RV-002
RVM1.25-3.5	#6	3.7mm	6.6	20.1	6.3					OMU-RV-003
RVL1.25-3.5	#6	3.7mm	8	21.5	7					OMU-RV-004
RVS1.25-4	#8	4.3mm	6.6	20.1	6.3					OMU-RV-005
RVL1.25-4	#8	4.3mm	8	21.5	7					OMU-RV-006
RV1.25-4	#10	5.3mm	8	21.5	7					OMU-RV-007
RV1.25-6	1/4	6.5mm	11.6	27.5	11.1					OMU-RV-008
RV1.25-8	5/16	8.4mm	11.6	27.5	11.1					OMU-RV-009
RV1.25-10	3/8	10.5mm	13.6	31.6	13.9					OMU-RV-010
RV2-3	#4	3.2mm	6.6	17.8	4.3	10	4.9	blue	Material:Copper,PVC Wirerange:1.5~2.5mm ² Max.current=27A	OMU-RV-011
RVS2-3.5	#6	3.7mm	6.6	17.8	4.3					OMU-RV-012
RVM2-3.5	#6	3.7mm	6.6	21	7					OMU-RV-013
RVL2-3.3	#6	3.7mm	8.5	22.5	7.75					OMU-RV-014
RVS2-4	#8	4.3mm	6.6	21	7					OMU-RV-015
RVL2-4	#8	4.3mm	8.5	22.5	7.75					OMU-RV-016
RVS2-5	#10	5.3mm	8.5	22.5	7.75					OMU-RV-017
RVL2-5	#10	5.3mm	9.5	22.5	7.25					OMU-RV-018
RV2-6	1/4	6.5mm	12	27.6	11					OMU-RV-019
RV2-8	5/16	8.4mm	12	27.6	11					OMU-RV-020
RV2-10	3/8	10.5mm	13.6	30.2	13.9	OMU-RV-021				
RV3.5-4	#8	4.3	8.0	24.5	7.7	12.5	6.2	black	Material:Copper,PVC Wirerange:2.5~4mm ² Max.current=37A	OMU-RV-022
RVS3.5-5	#10	5.3	8.0	24.5	7.7					OMU-RV-023
RVL3.5-5	#10	5.3	12.0	27.9	7.7					OMU-RV-024
RV3.5-6	1/4	6.5	12.0	27.9	7.7					OMU-RV-025
RV5.5-3.5	#6	3.7mm	7.2	21.4	5.9					12.5
RVS5.5-4	#8	4.3mm	7.2	21.4	5.9	OMU-RV-027				
RVL5.5-4	#8	4.3mm	9.5	25.5	8.3	OMU-RV-028				
RV5.5-5	#10	5.3mm	9.5	25.5	8.3	OMU-RV-029				
RV5.5-6	1/4	6.5mm	12	31.5	13	OMU-RV-030				
RV5.5-8	5/16	8.4mm	15	33.7	13.7	OMU-RV-031				
RV5.5-10	3/8	10.5mm	15	33.7	13.7	OMU-RV-032				
RV5.5-12	1/2	13.0mm	19.2	38.1	16	OMU-RV-033				

PVC Insulated Butt Splice Connector

OUMO PUBLISH

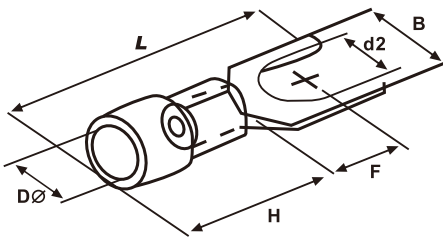


Specifications	Section of lead		Dimension(mm)			Max current	Color	Code No.
	A.W.G	mm ²	I	dØ	L			
BV1.25	22-16	0.5-1.5	15	1.7	26	19A	red	OMU-BV-001
BV2	16-14	1.5-2.5	15	2.3	26	27A	blue	OMU-BV-002
BV5.5	12-10	4-6	15	3.4	26	48A	yellow	OMU-BV-003
BV8	#8	6-10	21	4.5	32	62A	red	OMU-BV-004
BV14	#6	10-16	26	5.8	42	88A	blue	OMU-BV-005
BV22	#4	16-25	29	7.7	50	115A	yellow	OMU-BV-006
BV38	#2	35-50	32	9.4	55	160A	red	OMU-BV-007

Preinsulated Terminals

PVC Insulated Fork Terminals

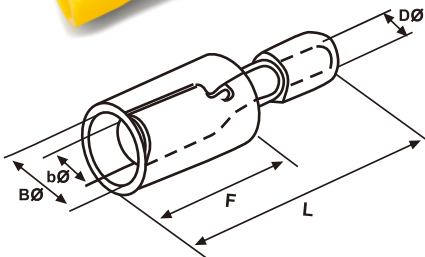
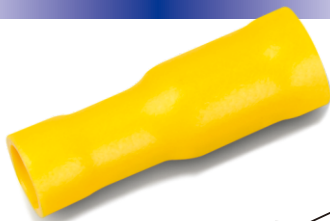
OUMO PUBLISH



Specifications	USA Bolt No.	Dimension						Color	Remark	Code No.
		Bolt dia. d2	B mm	L mm	F mm	H mm	DØ mm			
SV1.25-3	#4	3.2mm	5.7	21.2	6.5	10	4.3	red	Material:Copper,PVC Wirerange:0.5~1.5mm ² Max.current=19A	OMU-SV-001
SVS1.25-3.5	#6	3.7mm	5.7	21.2	6.5					OMU-SV-002
SVL1.25-3.5	#6	3.7mm	6.4	21.2	6.5					OMU-SV-003
SVS1.25-4	#8	4.3mm	6.4	21.2	6.5					OMU-SV-004
SVM1.25-4	#8	4.3mm	7.2	21.2	6.5					OMU-SV-005
SVL1.25-4	#8	4.3mm	8.1	21.2	6.5					OMU-SV-006
SVS1.25-5	#10	5.3mm	8.1	21.2	6.5					OMU-SV-007
SVL1.25-5	#10	5.3mm	9.5	21.2	6.5					OMU-SV-008
SVS1.25-6	1/4	6.5mm	9.5	21.2	6.5					OMU-SV-009
SVL1.25-6	1/4	6.5mm	12	27.2	11					OMU-SV-010
SV2-3	#4	3.2mm	5.7	21.2	6.5	10	4.9	blue	Material:Copper,PVC Wirerange:1.5~2.5mm ² Max.current=27A	OMU-SV-011
SVS2-3.5	#6	3.7mm	5.7	21.2	6.5					OMU-SV-012
SVL2-3.5	#6	3.7mm	6	21.2	6.5					OMU-SV-013
SVS2-4	#8	4.3mm	6.4	21.2	6.5					OMU-SV-014
SVM2-4	#8	4.3mm	7.2	21.2	6.5					OMU-SV-015
SVL2-4	#8	4.3mm	8.1	21.2	6.5					OMU-SV-016
SVS2-5	#10	5.3mm	8.1	21.2	6.5					OMU-SV-017
SVL2-5	#10	5.3mm	9.5	21.2	6.5					OMU-SV-018
SVS2-6	1/4	6.5mm	9.5	21.2	6.5					OMU-SV-019
SVL2-6	1/4	6.5mm	12	27.2	11					OMU-SV-020
SV3.5-3	#4	3.2mm	5.7	24.8	7.0	12.5	6.2	black	Material:Copper,PVC Wirerange:2.5~4mm ² Max.current=37A	OMU-SV-021
SV3.5-4	#8	4.3	8.3	24.8	7.0					OMU-SV-022
SVS3.5-5	#10	5.3	8.0	24.8	7.0					OMU-SV-023
SVL3.5-6	1/4	6.5	12.0	28.0	12.1					OMU-SV-024
SV5.5-3.5	#6	3.7mm	8.3	25.2	7.5	12.5	6.7	yellow	Material:Copper,PVC Wirerange:4~6mm ² Max.current=48A	OMU-SV-025
SVS5.5-4	#8	4.3mm	8.3	25.2	7.5					OMU-SV-026
SVL5.5-4	#8	4.3mm	9	25.2	7.5					OMU-SV-027
SV5.5-5	#10	5.3mm	9	25.2	7.5					OMU-SV-028
SVS5.5-6	1/4	6.5mm	9	25.5	7.5					OMU-SV-029
SVL5.5-6	1/4	6.5mm	12	31.2	12					OMU-SV-030
SV5.5-8	5/16	8.4mm	14	30	11.5					OMU-SV-031

Female Bullet Quick Disconnectors

OUMO PUBLISH

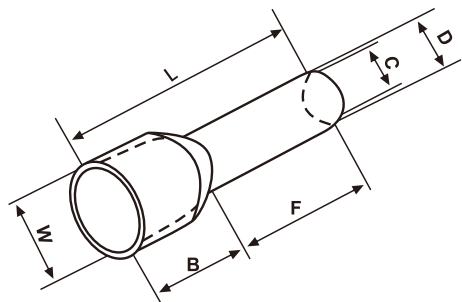
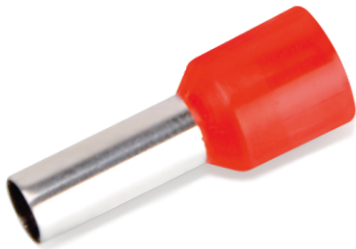


Specifications	Thickness (mm)	Dimension(mm)						Color	Code No.
		bØ	F	DØ	dØ	H	L		
FRD1.25-156	0.4	4	16	2.7	1.7	13	24.5	Red	OMU-FRD-001
FRD2-156	0.4	4	6.3	3.3	2.3	14	24.5	Blue	OMU-FRD-002
FRD2-195	0.4	5	7	3.3	2.3	14	24.5		OMU-FRD-003
FRD5.5-195	0.4	5	7	3.3	2.3	14	29.5	Yellow	OMU-FRD-004

Preinsulated Terminals

PVC Insulated Cord End Sleeves

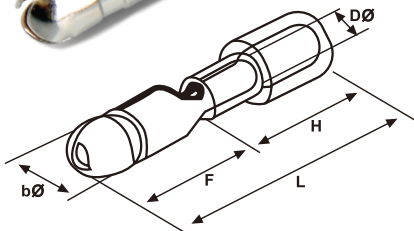
OUMO PUBLISH



Specifications	Dimension(mm)						Lead Area mm ²	Color of Insulating bush (up) Germany (down) France	Code No.
	F	L	W	DØ	CØ	A.W.G			
E0506	6	12	2.6	1.3	1	#22	0.5	orange white	OMU-E-001
E0508	8	14							OMU-E-002
E0510	10	16							OMU-E-003
E7506	6	12.4	2.8	1.5	1.2	#20	0.75	white blue	OMU-E-004
E7508	8	14.6							OMU-E-005
E7510	10	16.4							OMU-E-006
E7512	12	18.4						OMU-E-007	
E1006	6	12.4	3	1.7	1.4	#18	1	yellow red	OMU-E-008
E1008	8	14.6							OMU-E-009
E1010	10	16.4							OMU-E-010
E1012	12	18.4						OMU-E-011	
E1508	8	14.6	3.5	2	1.7	#16	1.5	red black	OMU-E-012
E1510	10	16.4							OMU-E-013
E1518	18	24.4							OMU-E-014
E2508	8	15.2	4	2.6	2.3	#14	2.5	blue gray	OMU-E-015
E2512	12	19							OMU-E-016
E2518	18	25							OMU-E-017
E4009	9	16.5	4.4	3.2	2.8	#12	4	gray orange	OMU-E-018
E4012	12	19.5							OMU-E-019
E4018	18	25.5							OMU-E-020
E6012	12	20	6.3	3.9	3.5	#10	6	black green	OMU-E-021
E6018	18	26							OMU-E-022
E10-12	12	21.5							7.6
E10-18	18	27.5							OMU-E-024
E16-12	12	22.2	8.8	6.2	5.8	#5	16	green ivory	OMU-E-025
E16-18	18	28.2							OMU-E-026
E25-16	16	29							11.2
E25-22	22	35							OMU-E-028
E35-16	16	30	12.7	8.7	8.3	#2	35	taupe	OMU-E-029
E35-25	25	39							OMU-E-030
E50-20	20	36							15.3
E50-25	25	41							OMU-E-032

Male Bullet Quick Disconnectors

OUMO PUBLISH

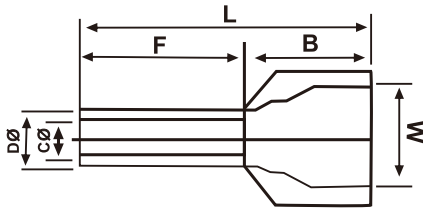
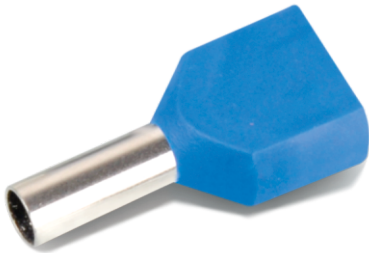


Specifications	Thickness	Dimension(mm)					Color	Code No.
		bØ	F	DØ	H	L		
MPD1.25-156	0.4	4	11	1.7	10	21	red	OMU-MPD-001
MPD2-156	0.4	4	11	2.3	10	21	blue	OMU-MPD-002
MPD2-195	0.4	5	11	2.3	10	21		OMU-MPD-003
MPD5.5-195	0.4	5	12	3.4	13	25	yellow	OMU-MPD-004

Preinsulated Terminals

PVC Insulated Twin Cord End Sleeves

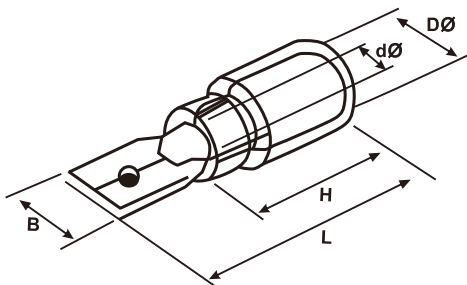
OUMO PUBLISH



Specifications	Conductor	Dimension(mm)						Color		Code No.
		F	L	W	B	DØ	CØ	Germany	France	
TE0508	2x0.5	8	14.5	8	6.5	1.8	1.5	white	white	OMU-TE-001
TE7508	2x0.75	8	14.7	8	6.7	2.1	1.8	blue	gray	OMU-TE-002
TE7510	2x0.75	10	16.7	10	6.7	2.1	1.8			OMU-TE-003
TE1008	2x1.0	8	15.1	8	7.1	2.3	2	red	red	OMU-TE-004
TE1010	2x1.0	10	17.1	10	7.1	2.3	2			OMU-TE-005
TE1508	2x1.5	8	15.5	8	7.2	2.6	2.3	black	yellow	OMU-TE-006
TE1512	2x1.5	12	19.5	12	7.5	2.6	2.3			OMU-TE-007
TE2510	2x2.5	10	18.5	10	8.5	3.3	2.9	gray	blue	OMU-TE-008
TE2513	2x2.5	13	21.5	13	8.5	3.3	2.9			OMU-TE-009
TE4012	2x4.0	12	23.1	12	11.1	4.2	3.8	orange	gray	OMU-TE-010
TE6014	2x6.0	14	26.1	14	12.1	5.3	4.9	green	yellow	OMU-TE-011
TE10-14	2x10.0	14	26.6	14	12	6.9	6.5	brown	red	OMU-TE-012
TE16-14	2x16.0	14	31.3	8.9	17.3	8.7	8.3	ivory	blue	OMU-TE-013

PVC Insulated Male Lug

OUMO PUBLISH

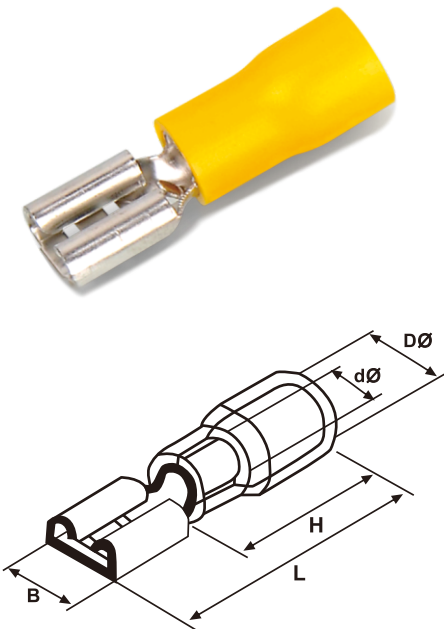


Specifications	NEMATAB	Thickness	Dimension					Remark	Code No.
			B	dØ	DØ	L	H		
	mm	mm	mm	mm	mm	mm			
MDD1.25-110(5)	0.5x2.8	0.5	2.8	1.7	4.3	17.7	10	Material:Copper,PVC Wire range:0.5~1.5mm ²	OMU-MDD-001
MDD1.25-110(8)	0.8x2.8	0.8	2.8	1.7	4.3	17.7			OMU-MDD-002
MDD1.25-187(5)	0.5x4.75	0.5	4.75	1.7	4.3	18.5			OMU-MDD-003
MDD1.25-187(8)	0.8x4.75	0.8	4.75	1.7	4.3	18.5			OMU-MDD-004
MDD1.25-250	0.8x6.3	0.4	6.3	1.7	4.3	21			OMU-MDD-005
MDD2-110(5)	0.5x2.8	0.5	2.8	2.3	4.3	17.7	10	Material:Copper,PVC Wire range:1.5~2.5mm ²	OMU-MDD-006
MDD2-187(5)	0.5x4.75	0.5	4.75	2.3	4.3	18.5			OMU-MDD-007
MDD2-187(8)	0.8x4.75	0.8	4.75	2.3	4.3	18.5			OMU-MDD-008
MDD2-250	0.8x6.3	0.4	6.35	2.3	4.3	21			OMU-MDD-009
MDD5.5-187	0.5x4.75	0.5	4.75	3.4	5.7	23	14	Material:Copper,PVC Wire range:4~6mm ²	OMU-MDD-010
MDD5.5-250	0.8x6.3	0.4	6.3	3.4	5.7	25			OMU-MDD-011

Preinsulated Terminals

PVC Insulated Female Lug

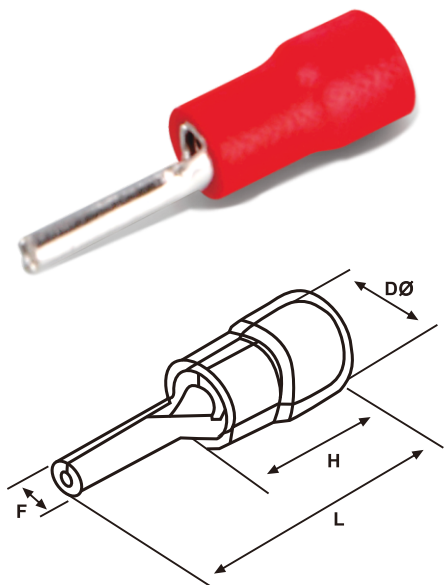
OUMO PUBLISH



Specifications	NEMATAB mm	Thickness mm	Dimension					Remark	Code No.
			B mm	dØ mm	DØ mm	L mm	H mm		
FDD1.25-110(5)	0.5x2.8	0.3	3.8	1.7	3.8	19	10 Material:Copper,PVC Wire range:0.5~1.5mm ²	OMU-FDD-001	
FDD1.25-110(8)	0.8x2.8	0.3	3.8	1.7	3.8	19		OMU-FDD-002	
FDD1.25-187(5)	0.5x4.75	0.35	5.6	1.7	3.8	19		OMU-FDD-003	
FDD1.25-187(8)	0.8x4.75	0.35	5.6	1.7	3.8	19		OMU-FDD-004	
FDD1.25-205	0.5x5.2	0.35	6.5	1.7	3.8	20		OMU-FDD-005	
FDD1.25-250	0.8x6.35	0.4	7.4	1.7	3.8	21		OMU-FDD-006	
FDD2-110(5)	0.5x2.8	0.3	3.8	2.3	4.3	19	10 Material:Copper,PVC Wire range:1.5~2.5mm ²	OMU-FDD-007	
FDD2-110(8)	0.8x2.8	0.3	3.8	2.3	4.3	19		OMU-FDD-008	
FDD2-187(5)	0.5x4.75	0.35	5.6	2.3	4.3	19		OMU-FDD-009	
FDD2-187(8)	0.8x4.75	0.35	5.6	2.3	4.3	19		OMU-FDD-010	
FDD2-205	0.5x5.2	0.35	6.5	2.3	4.3	20		OMU-FDD-011	
FDD2-250	0.8x6.35	0.4	7.4	2.3	4.3	21		OMU-FDD-012	
FDD2-312	0.8x8.0	0.4	9	2.3	4.3	23	OMU-FDD-013		
FDD5.5-187	0.5x4.75	0.4	5.6	3.4	5.7	23	14 Material:Copper,PVC Wire range:4~6mm ²	OMU-FDD-014	
FDD5.5-250	0.5x6.35	0.4	7.4	3.4	5.7	25		OMU-FDD-015	
FDD5.5-312	0.8x8.0	0.5	9	3.4	5.7	27		OMU-FDD-016	
FDD5.5-375	0.8x9.4	0.5	10.9	3.4	5.7	29.6		OMU-FDD-017	

PVC Insulated Pin Terminals

OUMO PUBLISH

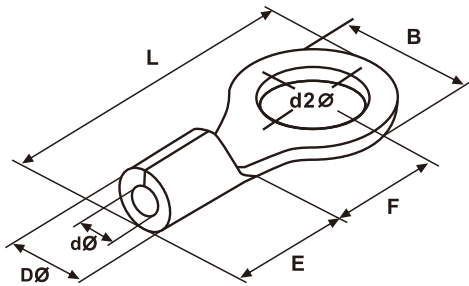


Specifications	Dimension(mm)				Color	Code No.
	F	L	H	DØ		
PTV1.25-9	1.9	19	10	4.3	red	OMU-PTV-001
PTV1.25-10	1.9	20				OMU-PTV-002
PTV1.25-12	1.9	22				OMU-PTV-003
PTV1.25-13	1.9	23				OMU-PTV-004
PTV1.25-18	1.9	28				OMU-PTV-005
PTV2-9	1.9	19	10	4.9	blue	OMU-PTV-006
PTV2-10	1.9	20				OMU-PTV-007
PTV2-12	1.9	22				OMU-PTV-008
PTV2-13	1.9	23				OMU-PTV-009
PTV2-18	1.9	28				OMU-PTV-010
PTV5.5-13	2.8	25.5	12.5	6.7	yellow	OMU-PTV-011

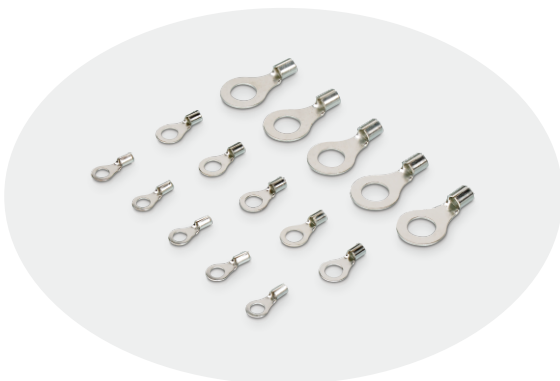
Preinsulated Terminals

Non-Insulated Ring Terminals

OUMO PUBLISH



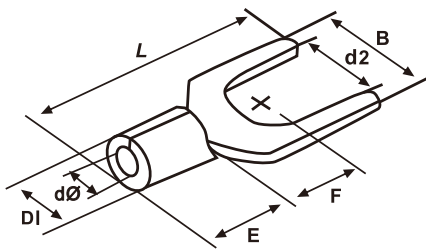
Specifications	Dimension(mm)								Code No.
	USA Bolt No.	Bolt dia. d2	B	L	F	H	DØ	dØ	
RNB1.25-3	#4	3.2mm	5.7	12.6	4.95	4.8	3.4	1.7	OMU-RNB-001
RNBS1.25-3.5	#6	3.7mm	5.7	12.6	4.95				OMU-RNB-002
RNBM1.25-3.5	#6	3.7mm	6.6	14.4	6.3				OMU-RNB-003
RNBL1.25-3.5	#6	3.7mm	8	15.8	7				OMU-RNB-004
RNBS1.25-4	#8	4.3mm	6.6	14.4	6.3				OMU-RNB-005
RNBL1.25-4	#8	4.3mm	8	15.8	7				OMU-RNB-006
RNB1.25-5	#10	5.3mm	8	15.8	7				OMU-RNB-007
RNB1.25-6	1/4	6.5mm	11.6	21.8	11.1				OMU-RNB-008
RNB1.25-8	5/16	8.4mm	11.6	21.8	11.1				OMU-RNB-009
RNB1.25-10	3/8	10.5mm	13.6	25.5	13.9				OMU-RNB-010
RNB2-3	#4	3.2mm	6.6	12.3	4.3	4.8	4.1	2.3	OMU-RNB-011
RNBS2-3.5	#6	3.7mm	6.6	12.3	4.3				OMU-RNB-012
RNBM2-3.5	#6	3.7mm	6.6	16	7				OMU-RNB-013
RNBL2-3.5	#6	3.7mm	8.5	16.8	7.75				OMU-RNB-014
RNBS2-4	#8	4.3mm	6.6	16	7				OMU-RNB-015
RNBL2-4	#8	4.3mm	8.5	16.8	7.75				OMU-RNB-016
RNBS2-5	#10	5.3mm	8.5	16.8	7.75				OMU-RNB-017
RNBL2-5	#10	5.3mm	9.5	16.8	7.25				OMU-RNB-018
RNB2-6	1/4	6.5mm	12	21.8	11				OMU-RNB-019
RNB2-8	5/16	8.4mm	12	21.8	11				OMU-RNB-020
RNB2-10	3/8	10.5mm	13.6	25.5	13.9	OMU-RNB-021			
RNB5.5-3.5	#6	3.7mm	7.2	15.7	5.9	6.8	5.6	3.4	OMU-RNB-022
RNBS5.5-4	#8	4.3mm	7.2	15.7	5.9				OMU-RNB-023
RNBL5.5-4	#8	4.3mm	9.5	19.8	8.3				OMU-RNB-024
RNB5.5-5	#10	5.3mm	9.5	19.8	8.3				OMU-RNB-025
RNB5.5-6	1/4	6.5mm	12	25.8	13				OMU-RNB-026
RNB5.5-7	5/16	8.4mm	15	28	13.7				OMU-RNB-027
RNB5.5-10	3/8	10.5mm	15	28	13.7				OMU-RNB-028
RNB5.5-12	1/2	13.0mm	19.2	32.4	16				OMU-RNB-029



Preinsulated Terminals

Non-Insulated Fork Terminals

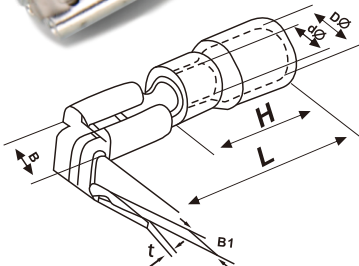
OUMO PUBLISH



Specifications	Dimension(mm)								Code No.
	USA Bolt No.	Bolt dia. d2	B mm	L mm	F mm	E mm	DØ mm	dØ mm	
SNB1.25-3	#4	3.2mm	5.7	16	6.5	4.8	3.4	1.7	OMU-SNB-001
SNBS1.25-3.5	#6	3.7mm	5.7	16	6.5				OMU-SNB-002
SNBL1.25-3.5	#6	3.7mm	6.4	16	6.5				OMU-SNB-003
SNBS1.25-4	#8	4.3mm	6.4	16	6.5				OMU-SNB-004
SNBM1.25-4	#8	4.3mm	7.2	16	6.5				OMU-SNB-005
SNBL1.25-4	#8	4.3mm	8.1	16	6.5				OMU-SNB-006
SNBS1.25-5	#10	5.3mm	8.1	16	6.5				OMU-SNB-007
SNBL1.25-5	#10	5.3mm	9.5	16	6.5				OMU-SNB-008
SNBS1.25-6	1/4	6.5mm	9.5	16	6.5				OMU-SNB-009
SNBL1.25-6	1/4	6.5mm	12	22	11				OMU-SNB-010
SNB2-3	#4	3.2mm	5.7	16	6.5	4.8	4.1	2.3	OMU-SNB-011
SNBS2-3.5	#6	3.7mm	5.7	16	6.5				OMU-SNB-012
SNBL2-3.5	#6	3.7mm	6	16	6.5				OMU-SNB-013
SNBS2-4	#8	4.3mm	6.4	16	6.5				OMU-SNB-014
SNBM2-4	#8	4.3mm	7.2	16	6.5				OMU-SNB-015
SNBL2-4	#8	4.3mm	8.1	16	6.5				OMU-SNB-016
SNBS2-5	#10	5.3mm	8.1	16	6.5				OMU-SNB-017
SNBL2-5	#10	5.3mm	9.5	16	6.5				OMU-SNB-018
SNBS2-6	1/4	6.5mm	9.5	16	6.5				OMU-SNB-019
SNBL2-6	1/4	6.5mm	12	22	11				OMU-SNB-020
SNB5.5-3.5	#6	3.7mm	8.3	19.5	7.5	6.8	5.6	3.4	OMU-SNB-021
SNB5.5-4	#8	4.3mm	8.3	19.5	7.5				OMU-SNB-022
SNB5.5-4	#8	4.3mm	9	19.5	7.5				OMU-SNB-023
SNB5.5-5	#10	5.3mm	9	19.5	7.5				OMU-SNB-024
SNB5.5-6	1/4	6.5mm	9	19.5	7.5				OMU-SNB-025
SNB5.5-6	1/4	6.5mm	12	25.5	12				OMU-SNB-026
SNB5.5-8	5/16	8.4mm	14	24.5	11.5				OMU-SNB-027

Piggy Back Quick Disconnects

OUMO PUBLISH

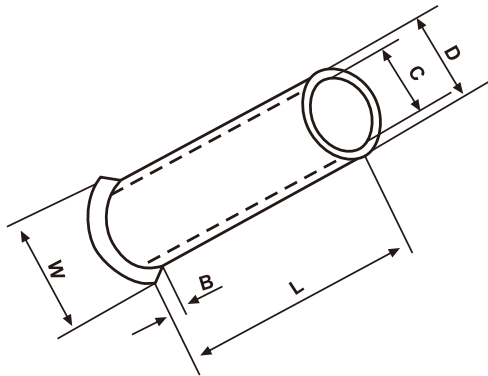


Specifications	NEMATAB	Dimension						Code No.
	t	B	B1	H	DØ	dØ	L	
	mm	mm	mm	mm	mm	mm	mm	
PBDD1.25-250	0.8x6.35	7.4	6.3	10	3.8	1.7	21.5	OMU-PBDD-001
PBDD2-250	0.8x6.35	7.4	6.3	10	4.3	2.3	21.5	OMU-PBDD-002
PBDD5.5-250	0.8x6.35	7.4	6.3	14	5.7	3.4	25	OMU-PBDD-003

Preinsulated Terminals

Non-Insulated Cord End Sleeves

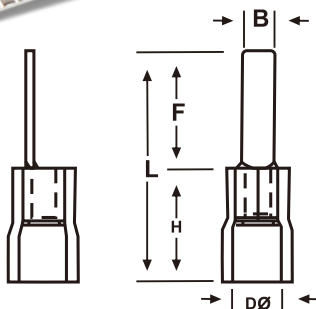
OUMO PUBLISH



Specifications	Dimension(mm)				Section of lead		Code No.
	L	D	C	W	A.W.G	mm ²	
EN0506	6	1.3	1	2.1	#22	0.5	OMU-EN-001
EN7506	6	1.5	1.2	2.5	#20	0.75	OMU-EN-002
EN1006	6	1.7	1.4	2.7	#18	1	OMU-EN-003
EN1010	10		OMU-EN-004				
EN1507	7	2	1.7	3.5	#16	1.5	OMU-EN-005
EN1510	10		OMU-EN-006				
EN2507	7	2.5	2.2	2.5	#14	2.5	OMU-EN-007
EN2512	12		OMU-EN-008				
EN4009	9	3.2	2.8	4	#12	4	OMU-EN-009
EN4012	12		OMU-EN-010				
EN6010	10	3.9	3.5	4.8	#10	6	OMU-EN-011
EN6012	12						OMU-EN-012
EN6015	15						OMU-EN-013
EN10-12	12	4.9	4.5	5.8	#7	10	OMU-EN-014
EN10-15	15						OMU-EN-015
EN10-18	18						OMU-EN-016
EN16-12	12	6.2	5.8	7.5	#5	16	OMU-EN-017
EN16-15	15						OMU-EN-018
EN16-18	18						OMU-EN-019
EN25-16	16	7.9	7.5	9.2	#4	25	OMU-EN-020
EN25-22	22						OMU-EN-021
EN35-16	16	8.7	8.3	10	#2	35	OMU-EN-022
EN35-25	25						OMU-EN-023
EN50-20	20	10.9	10.3	12.4	#1	50	OMU-EN-024
EN50-25	25						OMU-EN-025

PVC Insulated Blade Terminals

OUMO PUBLISH



Specifications	Dimension					Color	Code No.
	B	L	F	H	DØ		
DBV1.25-10	2.3	20	10	10	4.3	red	OMU-DBV-001
DBV1.25-11	3	21	11				OMU-DBV-002
DBV1.25-14	3	24	14				OMU-DBV-003
DBV1.25-18	2.3	28	18	10	4.9	blue	OMU-DBV-004
DBV2-10	2.4	19	9				OMU-DBV-005
DBV2-14	2.4	24	14				OMU-DBV-006
DBV2-18	2.4	28	18	13	5.6	yellow	OMU-DBV-007
DBV5.5-10	2.8	22.5	10				OMU-DBV-008
DBV5.5-14	4.5	26.5	14				OMU-DBV-009
DBV5.5-18	4.5	30.5	18				OMU-DBV-010